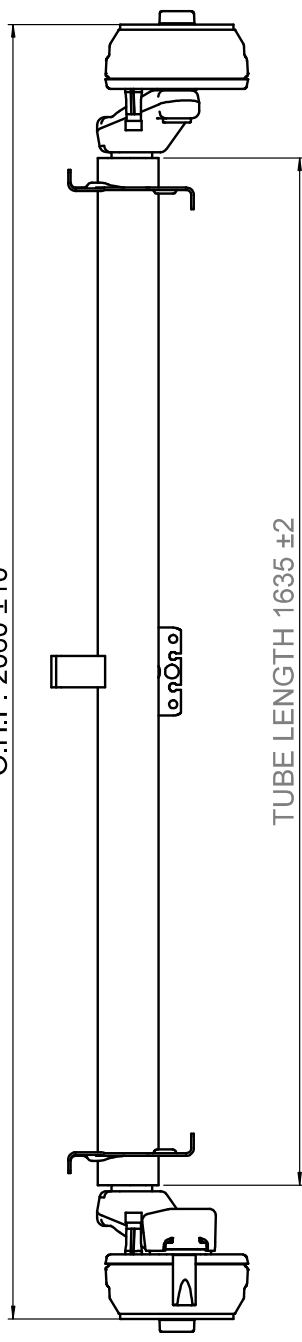
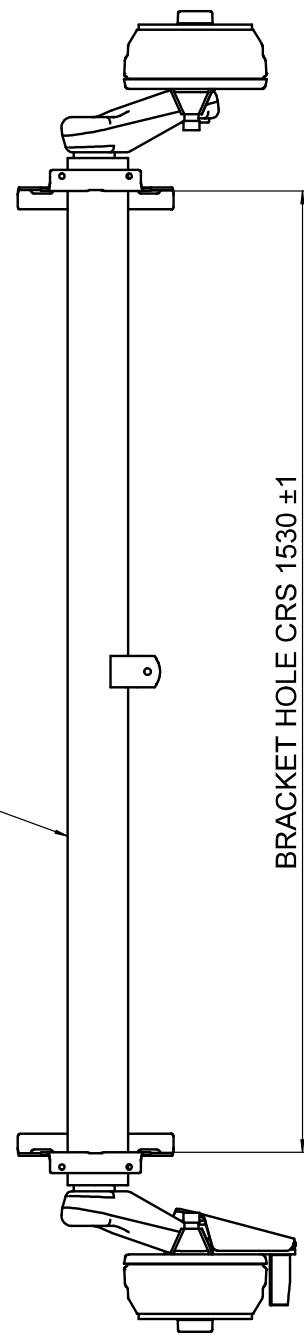


O.H.F. 2060 ±10

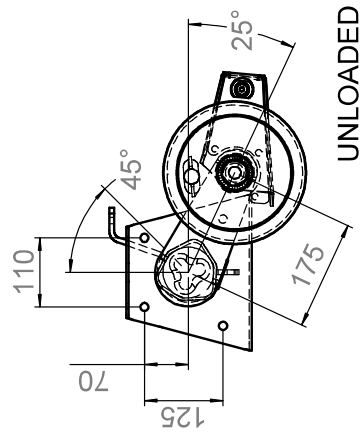


TUBE LENGTH 1635 ±2

97x4 AXLE TUBE



BRACKET HOLE CRS 1530 ±1



UNLOADED

! CAD - Drawing !  
! FIRST-ANGLE PROJECTION !

TECHNICAL DATA

**AL-KO SECURE FITTED**  
 Model : Euro 1  
 Axle Type : B1600-3  
 Axle Load : 1500Kg  
 Tandem Load : N/A Kg  
 Wheel Brake : 2051  
 P.C.D. : 112x5  
 Axle Assembly : 1550938

\*\*\*\*\*  
 Wheel Bolts : M12 x 1.5  
 Wheel Bolts Type :  
 Bowden Cable Front : 247285  
 Cover Length : 1020  
 Bowden Cable Rear : -  
 Cover Length : -  
 Balance Bar : 2385760002

Issue/Modification text		Material		DIN	Raw Material	DIN	Ident.No.
Surface acc. EN ISO 1302		DIN 7168 m					
Tolerance according to		Weight	kg	Scale	1:8	Format	A3
EN ISO 1302		Date	10.10.09	Description			
		Chd.	SPH	AXLE ASSEMBLY COMPLETE			
				Part No. 1288412			
				Class.-No.			
				Replacement for			
				Created *			
				Name			
				Date			
				Issue/Mod. No.			
				Date			
				Name			
				Date			
				Issue/Mod. No.			
				Date			
				Name			
				Date			
				Issue/Mod. No.			
				Date			
				Name			
				Date			
				Issue/Mod. No.			
				Date			
				Name			
				Date			
				Issue/Mod. No.			
				Date			
				Name			
				Date			
				Issue/Mod. No.			
				Date			
				Name			
				Date			
				Issue/Mod. No.			
				Date			
				Name			
				Date			
				Issue/Mod. No.			
				Date			
				Name			
				Date			
				Issue/Mod. No.			
				Date			
				Name			
				Date			
				Issue/Mod. No.			
				Date			
				Name			
				Date			
				Issue/Mod. No.			
				Date			
				Name			
				Date			
				Issue/Mod. No.			
				Date			
				Name			
				Date			
				Issue/Mod. No.			
				Date			
				Name			
				Date			
				Issue/Mod. No.			
				Date			
				Name			
				Date			
				Issue/Mod. No.			
				Date			
				Name			
				Date			
				Issue/Mod. No.			
				Date			
				Name			
				Date			
				Issue/Mod. No.			
				Date			
				Name			
				Date			
				Issue/Mod. No.			
				Date			
				Name			
				Date			
				Issue/Mod. No.			
				Date			
				Name			
				Date			
				Issue/Mod. No.			
				Date			
				Name			
				Date			
				Issue/Mod. No.			
				Date			
				Name			
				Date			
				Issue/Mod. No.			
				Date			
				Name			
				Date			
				Issue/Mod. No.			
				Date			
				Name			
				Date			
				Issue/Mod. No.			
				Date			
				Name			
				Date			
				Issue/Mod. No.			
				Date			
				Name			
				Date			
				Issue/Mod. No.			
				Date			
				Name			
				Date			
				Issue/Mod. No.			
				Date			
				Name			
				Date			
				Issue/Mod. No.			
				Date			
				Name			
				Date			
				Issue/Mod. No.			
				Date			
				Name			
				Date			
				Issue/Mod. No.			
				Date			
				Name			
				Date			
				Issue/Mod. No.			
				Date			
				Name			
				Date			
				Issue/Mod. No.			
				Date			
				Name			
				Date			
				Issue/Mod. No.			
				Date			
				Name			
				Date			
				Issue/Mod. No.			
				Date			
				Name			
				Date			
				Issue/Mod. No.			
				Date			
				Name			
				Date			
				Issue/Mod. No.			
				Date			
				Name			
				Date			
				Issue/Mod. No.			
				Date			
				Name			
				Date			
				Issue/Mod. No.			
				Date			
				Name			
				Date			
				Issue/Mod. No.			
				Date			
				Name			
				Date			
				Issue/Mod. No.			
				Date			
				Name			
				Date			
				Issue/Mod. No.			
				Date			
				Name			
				Date			
				Issue/Mod. No.			
				Date			
				Name			
				Date			
				Issue/Mod. No.			
				Date			
				Name			
				Date			
				Issue/Mod. No.			
				Date			
				Name			
				Date			
				Issue/Mod. No.			
				Date			
				Name			
				Date			
				Issue/Mod. No.			
				Date			
				Name			
				Date			
				Issue/Mod. No.			
				Date			
				Name			
				Date			
				Issue/Mod. No.			
				Date			
				Name			
				Date			
				Issue/Mod. No.			
				Date			
				Name			
				Date			
				Issue/Mod. No.			
				Date			
				Name			
				Date			
				Issue/Mod. No.			
				Date			
				Name			
				Date			
				Issue/Mod. No.			
				Date			
				Name			
				Date			
				Issue/Mod. No.			
				Date			
				Name			
				Date			
				Issue/Mod. No.			
				Date			
				Name			
				Date			
				Issue/Mod. No.			
				Date			
				Name			
				Date			
				Issue/Mod. No.			
				Date			
				Name			
				Date			
				Issue/Mod. No.			
				Date			
				Name			
				Date			
				Issue/Mod. No.			
				Date			
				Name			
				Date			
				Issue/Mod. No.			
				Date			
				Name			
				Date			
				Issue/Mod. No.			
				Date			
				Name			
				Date			
				Issue/Mod. No.			
				Date			
				Name			
				Date			
				Issue/Mod. No.			
				Date			
				Name			
				Date			
				Issue/Mod. No.			
				Date			
				Name			
				Date			
				Issue/Mod. No.			
				Date			
				Name			
				Date			
				Issue/Mod. No.			
				Date			
				Name			
				Date			
				Issue/Mod. No.			
				Date			
				Name			
				Date			
				Issue/Mod. No.			
				Date			
				Name			
				Date			
				Issue/Mod. No.			
				Date			
				Name			
				Date			
				Issue/Mod. No.			
				Date			
				Name			
				Date			
				Issue/Mod. No.			
				Date			
				Name			
				Date			
				Issue/Mod. No.			
				Date			
				Name			
				Date			
				Issue/Mod. No.			
				Date			
				Name			
				Date			
				Issue/Mod. No.			
				Date			
				Name			
				Date			
				Issue/Mod. No.			
				Date			
				Name			
				Date			
				Issue/Mod. No.			
				Date			
				Name			
				Date			
				Issue/Mod. No.			
				Date			
				Name			
				Date			
				Issue/Mod. No.			
				Date			
				Name			
				Date			
				Issue/Mod. No.			
				Date			
				Name			
				Date			
				Issue/Mod. No.			
				Date			
				Name			
				Date			
				Issue/Mod. No.			
				Date			
				Name			
				Date			
				Issue/Mod. No.			
				Date			
				Name			
</							